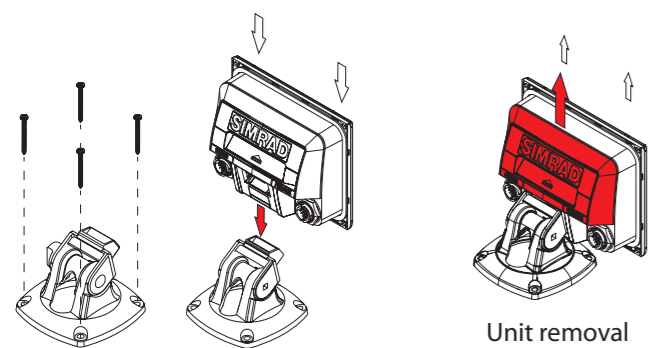


Technical specification

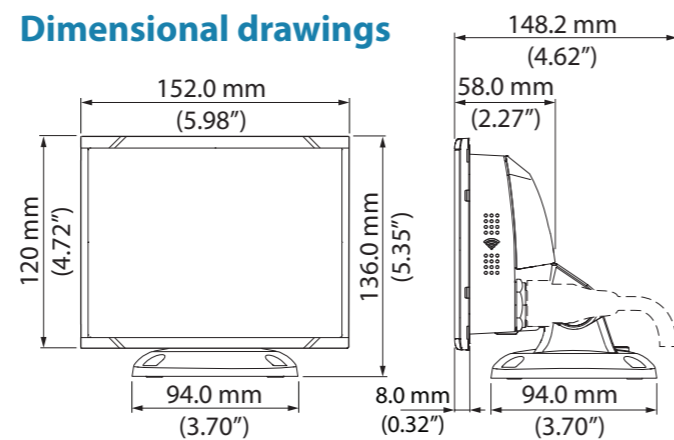
Display	
Resolution	800 x 480
Brightness	>1200 nits
Touch screen	Full touch screen (multi-touch)
Viewing angles (typical value at contrast ratio = 10)	Left/right: 70°, top: 50°, bottom: 60°
Electrical	
Supply voltage	12/24 V DC (9.0 - 31.2 V DC min - max)
Power consumption	650 mA/320 mA at 12 V DC (backlight full/off) 350 mA/190 mA at 24 V DC (backlight full/off)
Recommended fuse rating (12 V / 24 V)	3 A
Environmental	
Temperature range	-15°C to +55°C (5°F to 131°F)
Storage temperature	-20°C to +60°C (4°F to 140°F)
Waterproof rating	IPX6, IPX7
Category	Protected
Shock, vibration and humidity	According to IEC 60945
Interface/Connectivity	
Ethernet	1x (RJ45) 100Base-TXS, 8P8C connector, IPv4
Maximum data rate	450 sps addressed to device, 500 sps unintended
Buffer capacity	Dynamic serial buffer
NMEA 2000	1x (Micro-C, 1 LEN)
Data card reader	1x slot (microSD)
Comms	
IEC 61162-2 ports	2x
Digital input	1x
Analog input	1x
Power output (+16 V DC, 70 mA)	1x
Physical	
Compass Safe Distance - Metric, imperial	0.5 m (1.64 ft)
Weight (display only)	0.54 kg (1.18 lbs)

For product manuals, technical specifications, certificates and declarations, refer to the product website:
<http://www.navico-commercial.com>

Bracket mounting

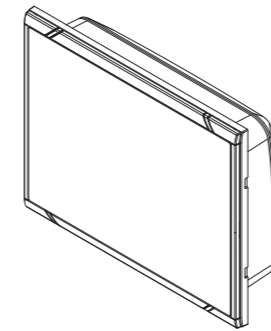


Dimensional drawings

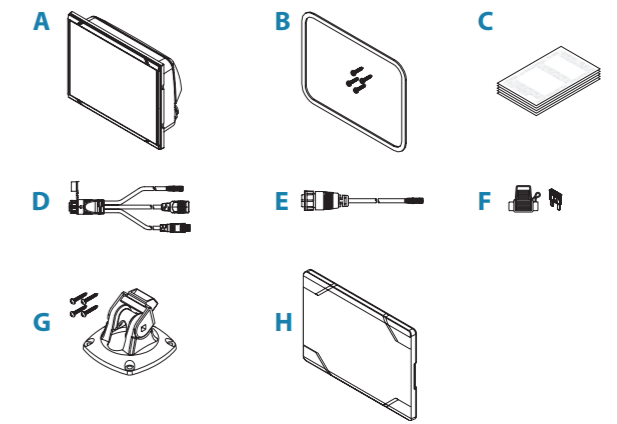


SIMRAD

P2005 Installation Guide

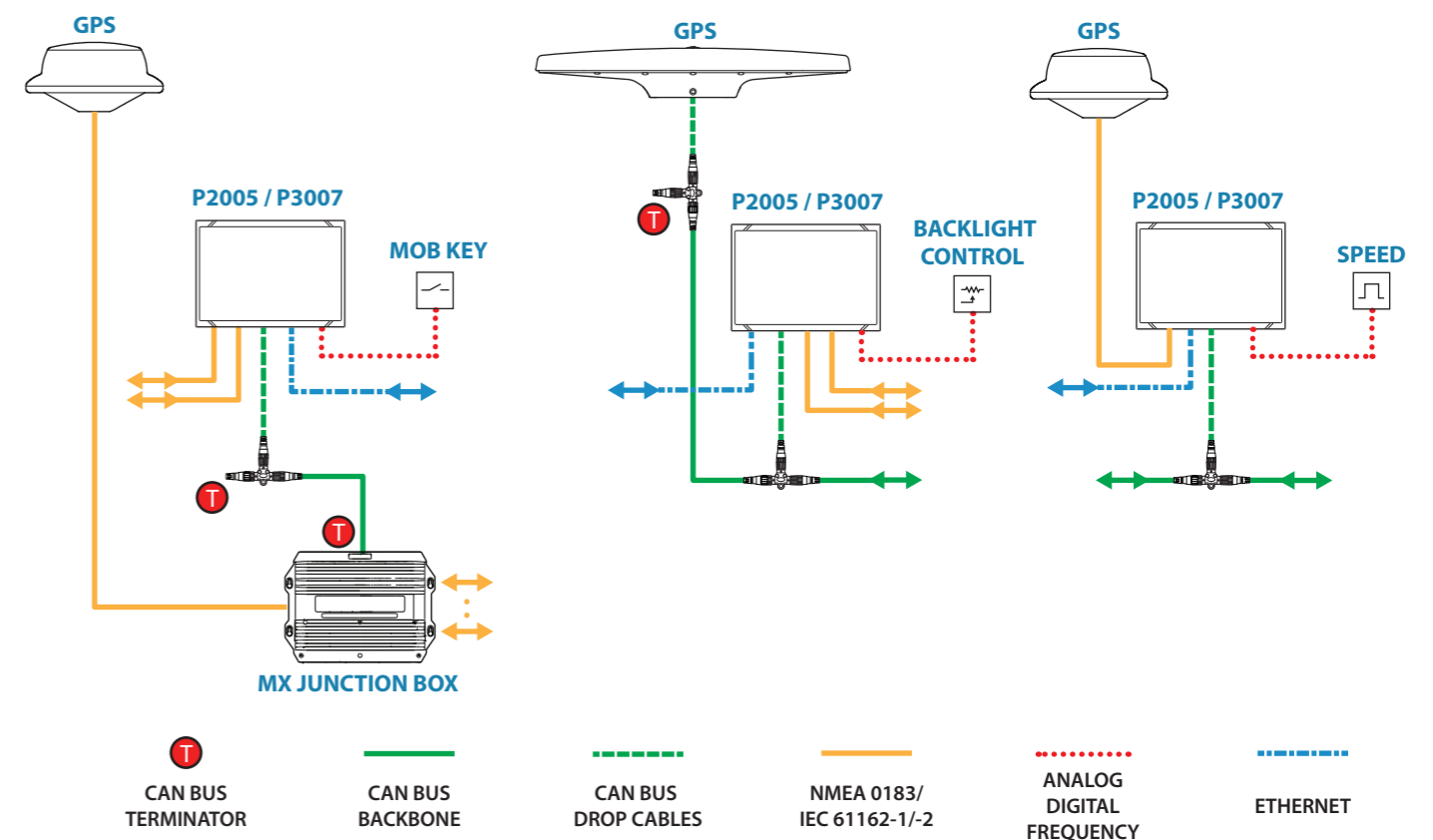


Parts



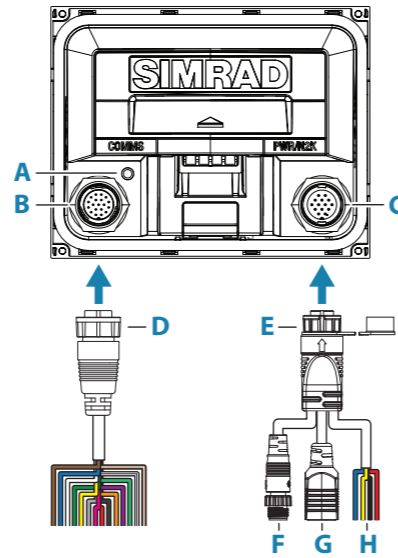
- A. P2005 unit
- B. Panel mounting kit
- C. Documentation
- D. 3-way adapter cable
- E. Communication cable
- F. Fuse kit
- G. Bracket kit
- H. Suncover (sold separately)

System example



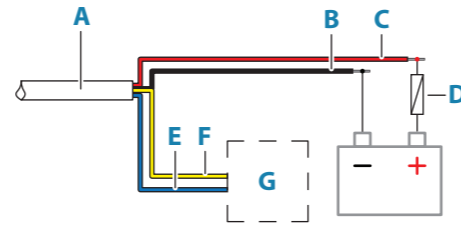
Connector overview

- A. Grounding, M4 threaded insert
- B. Comms (communication), 19-pin connector
- C. Power, external alarm, NMEA 2000 and Ethernet, 14-pin connector
- D. Communication cable
- E. 3-way adapter cable
- F. NMEA 2000, Micro-C connector
- G. Ethernet, RJ45 Ethernet connector
- H. Power and external alarm



Power and external alarm

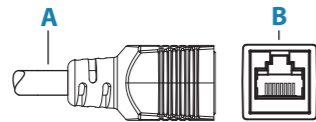
- A. 3-way adapter cable
- B. DC negative - black
- C. +12/24 V DC - red
- D. Fuse (3 A)
- E. Alarm output negative return - blue
- F. Alarm output (N/C isolated contact) - yellow
- G. Alert management system



→ **Note:** Refer to the technical specification for electrical details.

Ethernet

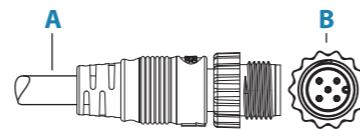
- A. 3-way adapter cable
- B. RJ-45 connector



→ **Note:** Network switches can be used to extend the network. Routers and repeater hubs shall not be used.

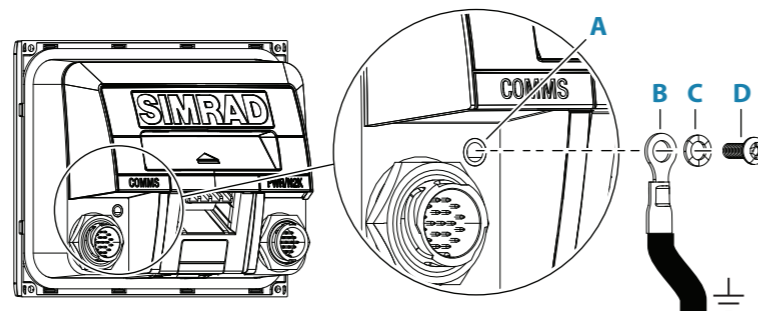
NMEA 2000

- A. 3-way adapter cable
- B. Micro-C connector



Grounding

- A. Ground, M4 threaded insert
- B. Grounding cable, min. 0.82 mm² (18 AWG)
- C. Star washer
- D. Screw (M4-.7 X 6 mm)



→ **Note:** It is recommended that the unit ground is connected to the vessel's bonded ground or a non-bonded RF ground.

Communication cable

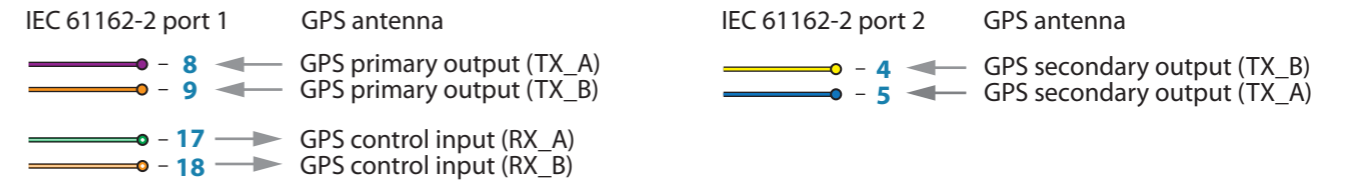
Refer to the Operator Manual for software setup. Wiring illustrations only include the required wires for the example.

IEC 61162-2

It is possible to configure port 1 and 2 for direct antenna connection or port 2 for BAM connection.

Pin/Wire	Color	IEC 61162-2 port 1	IEC 61162-2 port 2
3	pink		TX common
4	yellow		listener (RX_B)
5	blue		listener (RX_A)
6	brown/white		RX common
15	red/black		talker (TX_B)
16	purple/white		talker (TX_A)
7	red/white	RX common	
8	purple	listener (RX_A)	
9	orange	listener (RX_B)	
10	black/white	TX common	
17	green/white	talker (TX_A)	
18	orange/white	talker (TX_B)	
19	Not applicable		

Direct antenna connection

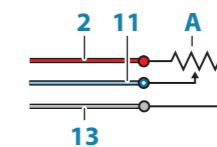


Analog input

The analog port can be configured for backlight control.

Pin/wire	Color	Backlight control
2	red	+16 V DC (max. 70 mA)
11	blue/white	signal in
12	brown	not used
13	grey	ground
14	green	not used

- A. Potentiometer (10 k - 100 k Ohm, 0.1 W)



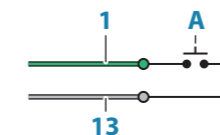
Digital input

The digital port can be used for either speed input or as an external MOB key.

Pin/wire	Color	Speed log	MOB
1	light green	signal in	signal in
13	grey	ground	ground
14	green	not used	not used

MOB

- A. Momentary push button



Speed

A speed log that outputs 200 pulses per nautical mile can be connected to the digital port.

- A. Speed log (200 pulses/NM)
- B. Ship's ground

