

Specifications

Name	Color plotter		
Model	JLZ-1000		
Functional performance			
Display	Resolution: XGA or SVGA / Instration: side		
Valid display range	Latitude 85 degrees or less		
Chart data	Overseas: NAVIONICS®+ / Japan: new pec		
Display scale	0.1 ~ 5000nm (Screen width)		
Display operation mode	North Up, East Up, West Up, South Up, Course Up, Head Up and Destination Up		
Position data display	Latitude / longitude, LORAN C, LORAN A and Decca		
Main screen display	Split (1/2/3/4 split)	Map screen (new pec: 2-screen display possible / NAVIONICS®+ : 1 screen only), highway, various types of data, sounding and video	
	Non-split	GPS reception, AIS information, DSB information, NAVTEX information	
Track	Saved information	Color, L/L, Water temperature, depth, current 5 levels (current/drift/current set)	
	Save interval	Time	1, 2, 5, 10, 20, 30, 60, 120, 300, 600, 1200, 1800, 3600 seconds
		Distance	0.01, 0.02, 0.05, 0.1, 0.2, 0.5, 1, 2, 5, 10nm
	No. of points saved	500,000 points (Display: 50,000 points)	
	Display color	7 colors (normal, depth, and temperature: switchable)	
Other ship's track	TT	100 targets (with saving main unit)	
	AIS	300 targets (without saving main unit)	
Mark (Destination)	Type	36 types	
	No. of points saved	50,000 points	
	Display color	7 colors	
Route	Comment input	14 characters	
	No. of points saved	100 routes (1 route 100 waypoints)	
Line	Comment input	14 characters	
	No. of points saved	Solid line 50,000 points, Fill 50,000 points	
Others	Display color	7 colors	
	External event input, external buzzer output (log pulse), GPS buoy data input and DGPS224/GPS124 receiver direct connection		
Input power supply voltage	DC11~35V		
Power consumption	Less than 25W		
Serial communication (input/output)			
No. of input/output systems	NMEA0183, JRC: 2 output systems, 2 input systems NMEA2000: 1 system		
Format	NMEA0183, JRC/NMEA2000		
NMEA0183 version	Ver1.5/2.1/2.3/4.0		
NMEA0183 output sentence	APA, APB, BWR, DBT, DPT, GGA, GLL, GSA, GSV, HDT, MTW, RMB, RMC, VHW, VTG, XTE, ZDA		
NMEA0183 input sentence	CUR, DBK, DBS, DBT, DPT, GGA, GLL, GNS, GSV, HDG, HDT, MDA, MTA, MTW, MWD, MWV, RMC, RPM, TLL, TTM, VHW, VTG, VWT, ZDA		
NMEA2000 output sentence	128259, 128267, 129026, 129029, 129283, 129284, 129285, 130310		
NMEA2000 input sentence	126992, 127250, 127488, 127489, 127497, 127498, 127505, 128259, 128267, 129025, 129026, 129029, 129539, 129540, 130306, 130310, 130311		
Environment conditions			
Operating temperature range	Processing unit: -10°C to +50°C, Operation unit: -15°C to +55°C		
Storage temperature range	-25°C to +70°C		
Waterproof	Processing unit: IP22 (floor-mount) / IP20 (wall-mount), Operation unit: IP22		

- new pec is the name of the new personal electronic chart that is made available the Japan Hydrographic Association.
 - NAVIONICS®+ is a registered trademark of Navionics.
 - NAVIONICS®+ is the electronic chart data that is made available by Navionics.
- For the information regarding the NAVIONICS®+ electronic chart, please contact JRC.

• Specifications may be subject to change without notice.

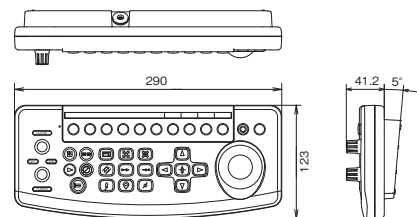
Configurations

Item name	Mode	Q'ty
Standard configuration		
Processing unit	NDC-1752	1
Power supply cable	CFQ-7516	1
Spare fuse	51NR205000	1
	51NR207000	1
Operation unit	NCH-748	1
Velcro tape	MTZ302573	2
Flush-mount kit	MPTG31340	1
Instruction manual	7ZPNA4661	1
Simple operation guide	7ZPNA4663	1
Options		
GPS receiver	JLR-4340	
DGPS receiver	JLR-4341	
GPS connection cable	CFQ-9000	
Map card	CDD-812	
Operation unit mounting metal fitting kit	MPXP32938	
MEDIA cable	CFQ-7517	
GPS antenna	NAY-1200	
LCD monitor (15 inch)	NWZ-157-J	
LCD monitor (10 inch)	NWZ-211	
Transducer (600W)	CFT-2505KZ	
Transducer (1kW)	CFT-2510KZ	

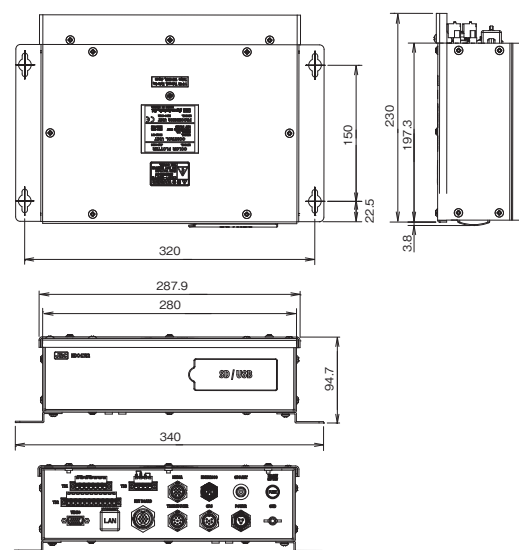
Dimensions

Operation unit NCH-748 Weight : About :1.1kg

unit : mm



Processing unit NDC-1752 Weight : About :2.2kg



For further information, contact:

JRC Japan Radio Co., Ltd.
Since 1915 URL <http://www.jrc.co.jp/eng/>

Main Office: NAKANO CENTRAL PARK EAST
10-1, Nakano 4-chome, Nakano-ku, Tokyo
164-8570, Japan
Telephone: +81-3-6832-1816
Facsimile: +81-3-6832-1845

Overseas Branches : Athens, Manila
Liaison Offices : Taipei, Hanoi, New York
Overseas Subsidiaries : Shanghai, Rio de Janeiro, Jakarta
Rotterdam, Singapore, Houston

34EM ISO9001, ISO14001 Certified

© 2017.9 2017.9 CAT.No.Y3-148 (No.516-1-1) D Printed in Japan

Color Plotter JLZ-1000

JRC



※LCD monitor option

Rapid chart rendering and display capabilities for the latest NAVIONICS®+ charts

- Split-screen functionality lets you view multiple kinds of information simultaneously
- Update support maintains use of the latest charts*
- TT (ARPA) and AIS operation-assistive display capabilities installed
- New control additions for simple easy to use
- The user's ship's tracks and marks can be imported from other JRC devices

*At customer discretion

JRC Japan Radio Co., Ltd.

Rapid chart rendering and display capabilities for the latest NAVIONICS®+ charts



※LCD monitor option

Support for latest NAVIONICS®+ charts comes installed standard

The newest NAVIONICS®+ allow for incredibly detailed display of sea areas. The JLZ-1000 color plotter also has a high-speed display for stress-free navigation and chart updates to let you operate using the latest data.

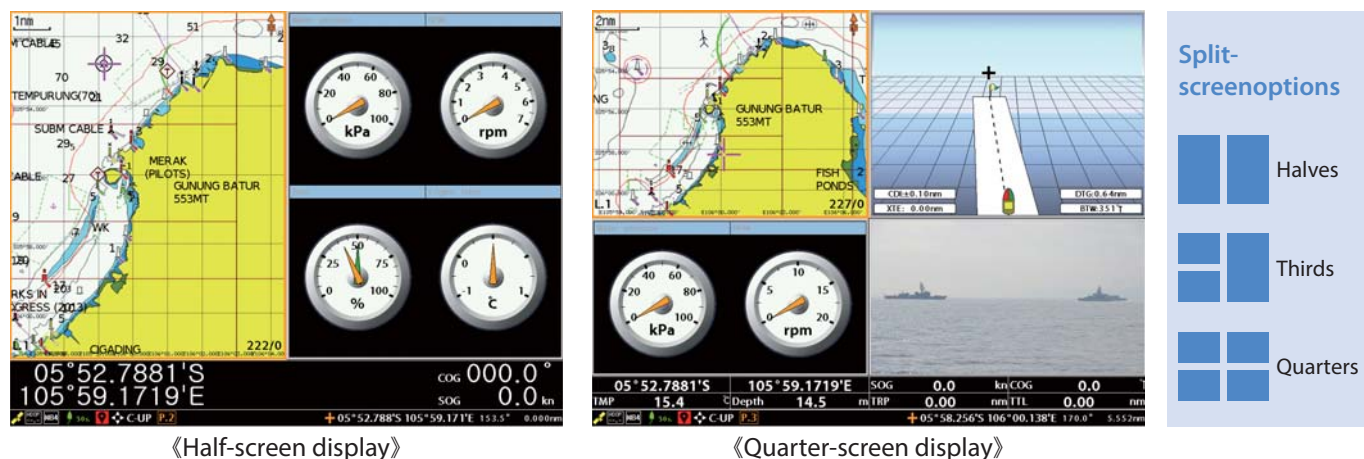


《Jakarta port》

《Singapore port》

《Bangkok port》

Split-screen functionality to view various information simultaneously



《Half-screen display》

《Quarter-screen display》

Display up to four kinds of various information including charts, highways, analog meters*1, and monitoring displays*2 in split-screen simultaneously.

* 1 : Connect the NMEA2000 unit to display engine and fuel information.
* 2 : By connecting an external camera, a monitoring video feed can be displayed.

Full suite of features

Operation-assistive display features



《TT (ARPA) display》

The radar's TT functionality displays the trails of other ships.



《Sounding display》

Displays the sounding function on connecting the transducer.



《AIS display》

Connect an AIS receiver to display AIS information.

New key layout for comfortable navigation

The JLZ-1000 allows you to carry out all operation simply by using the keyboard even in turbulent waters.

《Preset keys》

Assign different functions to each button. Up to ten presets can be set in total.

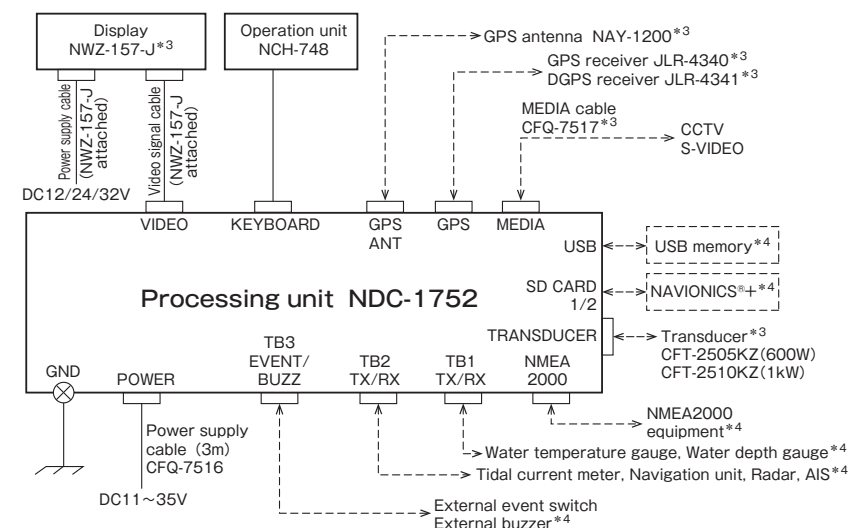
Pre-sets

- Set event mark
- Set cursor mark
- TT track display
- Screen display (charts, depth information, data readouts, highways, destinations, routes, GPS, AIS DSB, and NAVTEX information)
- Chart display settings
- Information readouts (TT, GPS buoys, AIS, DSB)
- Tracking information (water depth, temperature, currents, date, and time)

Preset key example



Diagram



- * 3: The following equipment is optional.
- | | |
|---------------|-----------------------|
| Display | NWZ-157-J |
| GPS antenna | NAY-1200 |
| GPS receiver | JLR-4340 |
| DGPS receiver | JLR-4341 |
| MEDIA cable | CFQ-7517 |
| Transducer | CFT-2505KZ/CFT-2510KZ |

- * 4: The following equipment is customer discretion.
- NAVIONICS®+
 - NMEA2000 equipment
 - USB memory
 - Water temperature gauge
 - Water depth gauge
 - Tidal current meter
 - Navigation unit
 - Radar
 - AIS
 - External event switch
 - External buzzer
 - External camera

Data conversion software is available. It helps you transfer your important content stored in a JRC's previous model to JLZ-1000. For more information, please contact us.